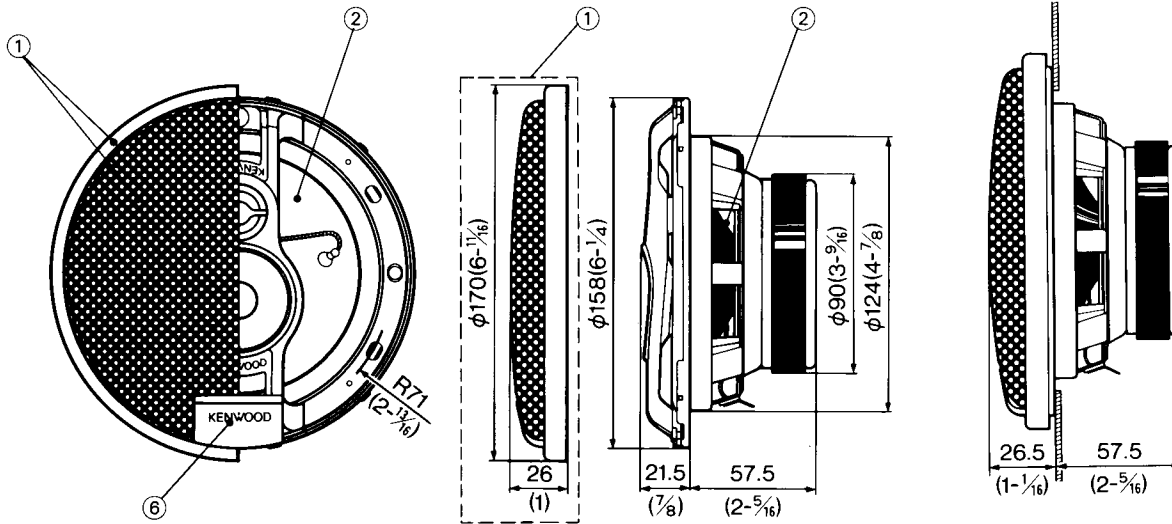


KFC-HQ162

SERVICE MANUAL

©1992-11 PRINTED IN JAPAN
B51-6538-00(MC) 1734

EXTERNAL VIEW



UNIT: mm (inch)

PARTS INCLUDED

- ③ 4.5m(15ft)(O.F.C).....× 2
- ④ $\phi 4-30 (3\frac{3}{16}-1-3\frac{3}{16})$× 6
- ⑤× 6
- ⑥× 2

SPECIFICATIONS

- Speakers
- Woofers ————— 158mm(6- $\frac{1}{4}$ in) Injection P.P. Cone Type
 - Mid-Range ————— 50mm(2in) Water Resistant Cone Type
 - Tweeter ————— 20mm($\frac{3}{16}$ in) P.I. Balanced Dome Type
 - Peak Power ————— 150 Watts
 - Frequency Response ————— 35Hz~30,000Hz
 - Sensitivity ————— 91dB/W at 1m
 - Impedance ————— 4 Ohms
 - Weight Per Speaker With Grille — 2,260g(5.0lb)/Pair

We follow a policy of advancements in development. For this reason specifications may be changed without notice.

PARTS LIST

★ New parts
Parts without **Parts No.** are not supplied.
Les articles non mentionnés dans le **Parts No.** ne sont pas fournis.
Teile ohne **Parts No.** werden nicht geliefert.

Ref No.	New Parts	Parts No.	Description
①	★	B06-0746-08	GRILL ASS'Y
⑥		B43-0900-08	BADGE SET
③	★	E30-5137-08	CORD SET
④ ⑤		N99-1086-18	SCREW SET
②	★	T15-0228-08	SPEAKER

KENWOOD CORPORATION

Alive Mitake, 2-5, 1-chome Shibuya, Shibuya-ku, Tokyo 150, Japan

KENWOOD U.S.A. CORPORATION
P.O. BOX 22745, 2201 East Dominguez St., Long Beach, CA 90810 U.S.A.
550 Clark Drive, Mount Olive, New Jersey 07828, U.S.A.
99-994 Iwaena St. Aiea, Hawaii 96701

KENWOOD ELECTRONICS CANADA INC.
6070 Kestrel Road, Mississauga, Ontario, Canada L5T 1S8

KENWOOD ELECTRONICS LATIN AMERICA S.A.
P.O. BOX 55-2791, Piso 6 Plaza Chase, Cl. 47 y Aquilino de la Guardia, Panama, Republic de Panama

TRIO-KENWOOD U.K. LIMITED
KENWOOD House, Dwight Road, Watford, Herts, WD1 8EB United Kingdom

KENWOOD ELECTRONICS BENELUX N.V.
Mechelsesteenweg 418 B-1930 Zaventem, Belgium

KENWOOD ELECTRONICS DEUTSCHLAND GMBH
Rembrucker Str. 15, 6056 Heusenstamm, Germany

TRIO-KENWOOD FRANCE S.A.
13 Boulevard Ney, 75018 Paris, France

KENWOOD LINEAR S.p.A.
20125, Milano-Via Albe, 50, Italy

KENWOOD ESPAÑA S.A.
Boivia, 239-08020 Barcelona, Spain

KENWOOD ELECTRONICS AUSTRALIA PTY. LTD. (A.C.N. 001 499 074)
P.O. BOX 504, 8 Fingtree Drive, Australia Centre, Homebush, N.S.W. 2140, Australia

KENWOOD & LEE ELECTRONICS, LTD.
Unit 3712-3724, Level 37 Tower 1, Metroplaza, 223 Hing Fong Road, Kwai Fong N.T. Hong Kong

KENWOOD ELECTRONICS SINGAPORE PTE LTD
No. 1 Genting Lane # 07-00 Singapore. 1334